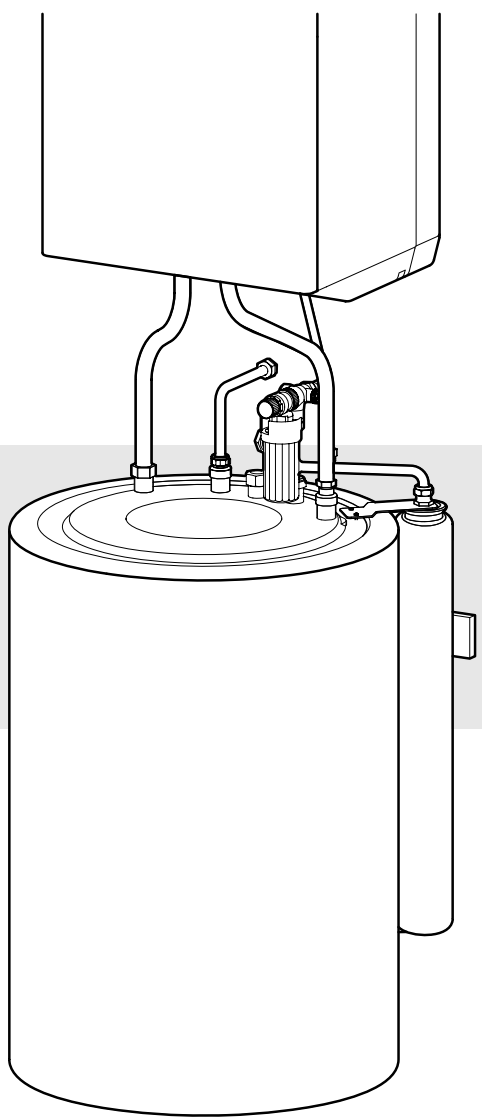
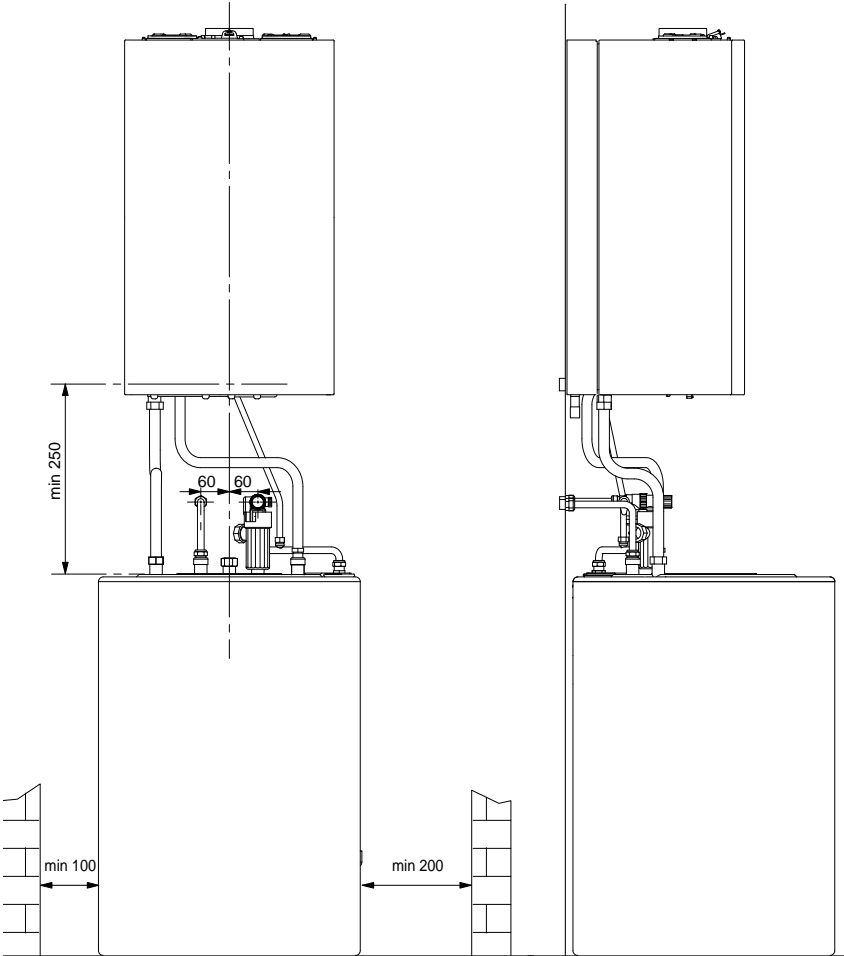


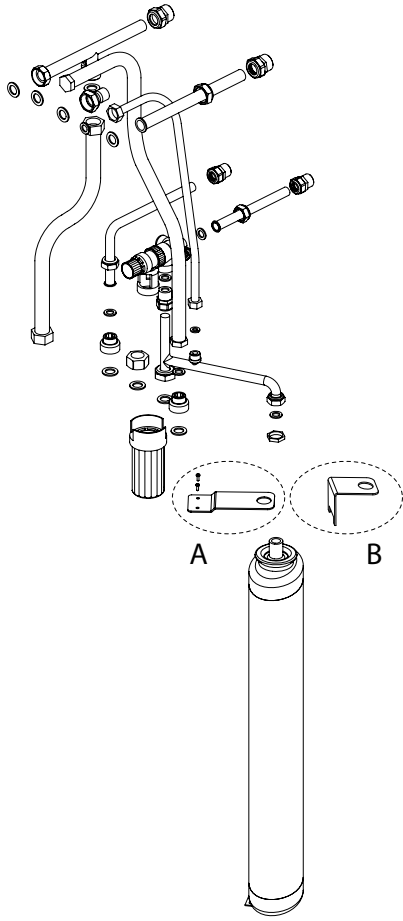
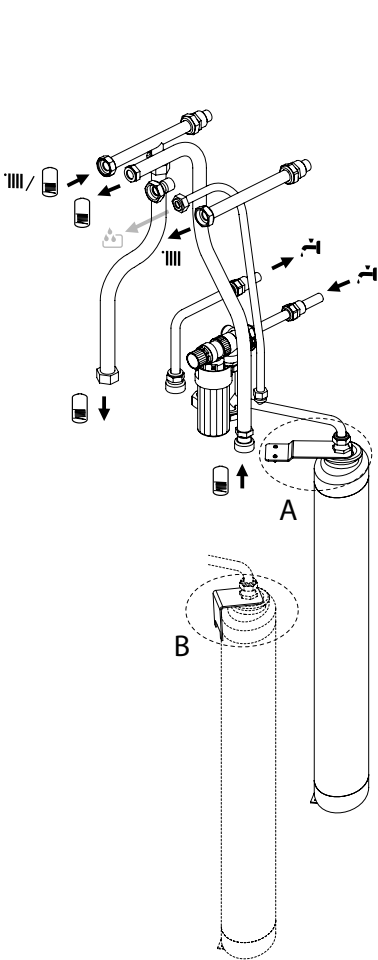
KIT PIPES SYSTEM PLUS

3318334



3318334





- A. KIT BACD
- B. KIT BCH

Ariston Thermo SpA

Viale Aristide Merloni 4
60044 Fabriano (AN) Italy
Telefono 0732 6011
Fax 0732 602331
info.it@aristonthermo.com
www.aristonthermo.com